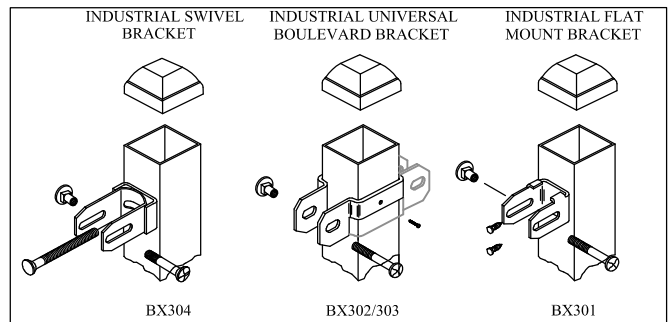
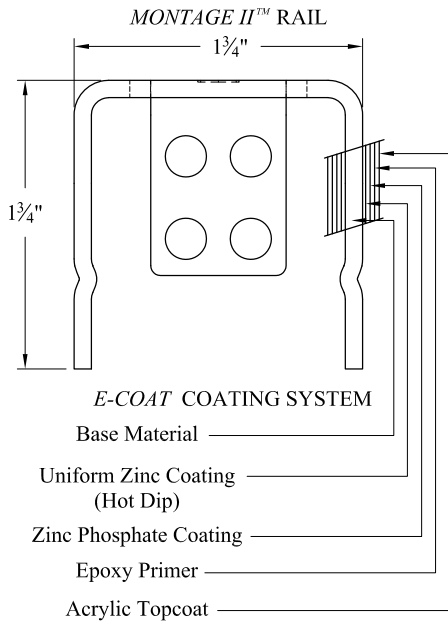
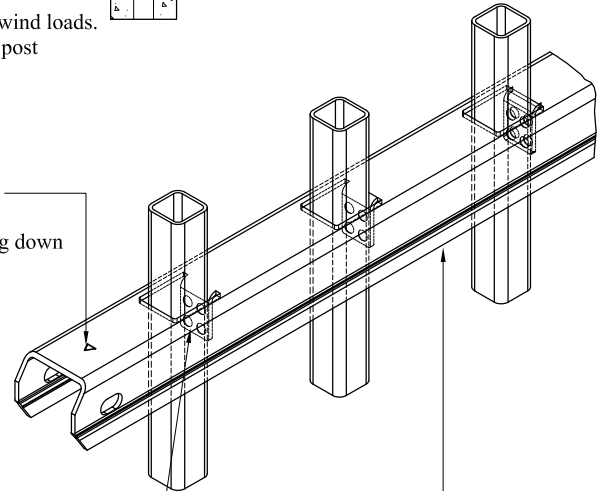


NOTES:

- 1.) Post size depends on fence height and wind loads. See MONTAGE II™ specifications for post sizing chart and setting dimensions.
- 2.) Third & Fourth rail optional.
- 3.) Available in Flush Bottom.

RAKING DIRECTIONAL ARROW
Welded panel can be raked 30" over 8' with arrow pointing down grade.



HEAVY INDUSTRIAL STRENGTH WELDED STEEL PANEL
PRE-ASSEMBLED

Values shown are nominal and not to be used for installation purposes. See product specification for installation requirements.

2HCISO

Title: MONTAGE II CLASSIC 2/3/4-RAIL		
DR: RTM	SH . 1 of 1	SCALE: DO NOT SCALE
CK: ME	Date 6/28/10	REV: b

Ameristar Montage II Classic Fence
Distributed by:
Ornamental Fence Supply, LLC
Big Rock, IL Phone: 800-448-1293

www.ornamentalfencesupply.com